

**PARTS LIST**

ITEM	QTY.	PART No.	DESCRIPTION
<b>DT-10-AS</b>			
1	1	100022	Cylinder Assembly
2	1	100023	Cylinder Casing Only
3	1	100024	Plunger Assembly
4	1	100779	Oil Gauge Stick
<b>DT-10-BS</b>			
1	1	101208	Cylinder Assembly
2	1	101834	Cylinder Casing Only
3	1	101870	Plunger Assembly
<b>DT-10-ASL</b>			
1	1	100027	Cylinder Assembly
2	1	103576	Cylinder Casing Only
3	1	100029	Plunger Assembly
5	1	101604	Oil Gauge Stick
<b>*CONTROLS</b>			
<b>DT-10-AS AND ASL</b>			
6	1	10932	Air Exhaust Muffler
7	1	11092	1/2" Air Valve (Non-Lock)
<b>DT-10-BS</b>			
6	1	10932	Air Exhaust Muffler
8	1	11093	1/2" Air Valve (Double-Lock)
9	1	11398	1" Oil Valve

**COMMON PARTS**

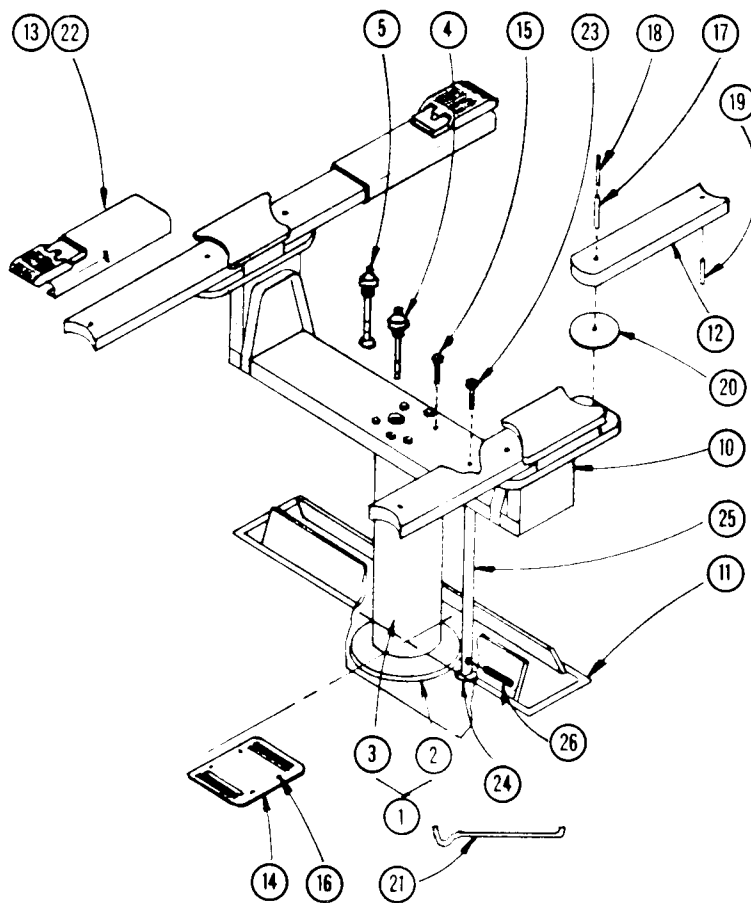
10	1	101381	Bolster Assembly
11	1	101372	Pitframe with Doors
	1	101373	Wood Frame (Cement)
12	4	101658	Swivel Arms
13	4	101655	Pad and Sleeve Assembly (Std.)
14	1	100199	Wheelstop
15	6	11218	Hex. Hd. Bolt — 7/8"-9 NC x 4-1 2" LG
16	4	10960	Rawl Drive Pins
17	4	10980	1/2" x 2-1/2" Spring Pin
18	4	10983	5/16" x 2-1/2" Spring Pin
19	4	11765	3/8" x 1-1/2" Spring Pin
20	4	100196	Washer
21	1	100778	Positioning Rod
22	4	100776	Pad and Sleeve Assembly Short

**NON-ROTATOR**

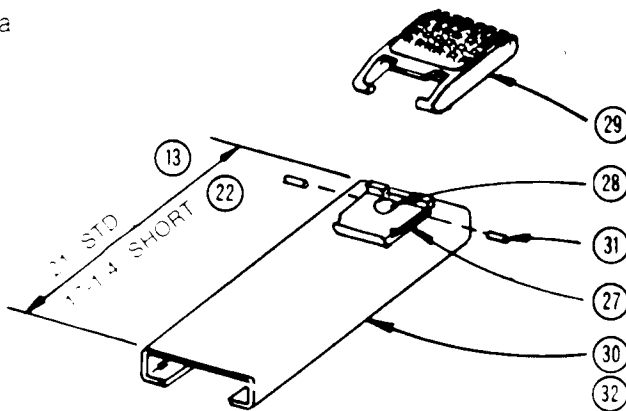
23	1	11217	Hex. Hd. Bolt — 1"-8 NC x 4-1 2" LG
24	1	100757	Non-Rotator Casing
25	1	100762	Non-Rotator Plunger (Manual)
26	1	102649	Safety Bar

**PAD AND SLEEVE ASSY. (4 POSITION)**

27	1	100772	Swivel Base
28	1	100774	Swivel Pin
29	1	100773	Swivel Pad
30	1	101656	Sliding Base (Std.)
31	2	11026	Stop Pin
32	1	100777	Sliding Base (Short)



**PAD AND SLEEVE ASSEMBLY (4 POSITION)**



For BS Oil Tank and Gauge Stick see page 22

For detail of Cylinders see pages 19, 20 and 21

\*For Air and Oil Valves see page 18